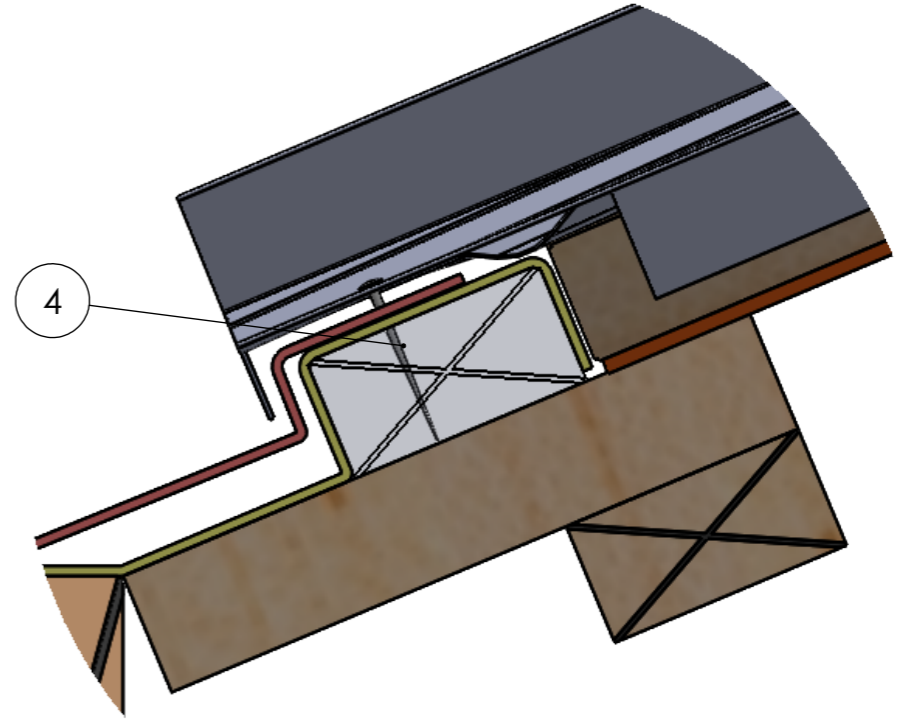
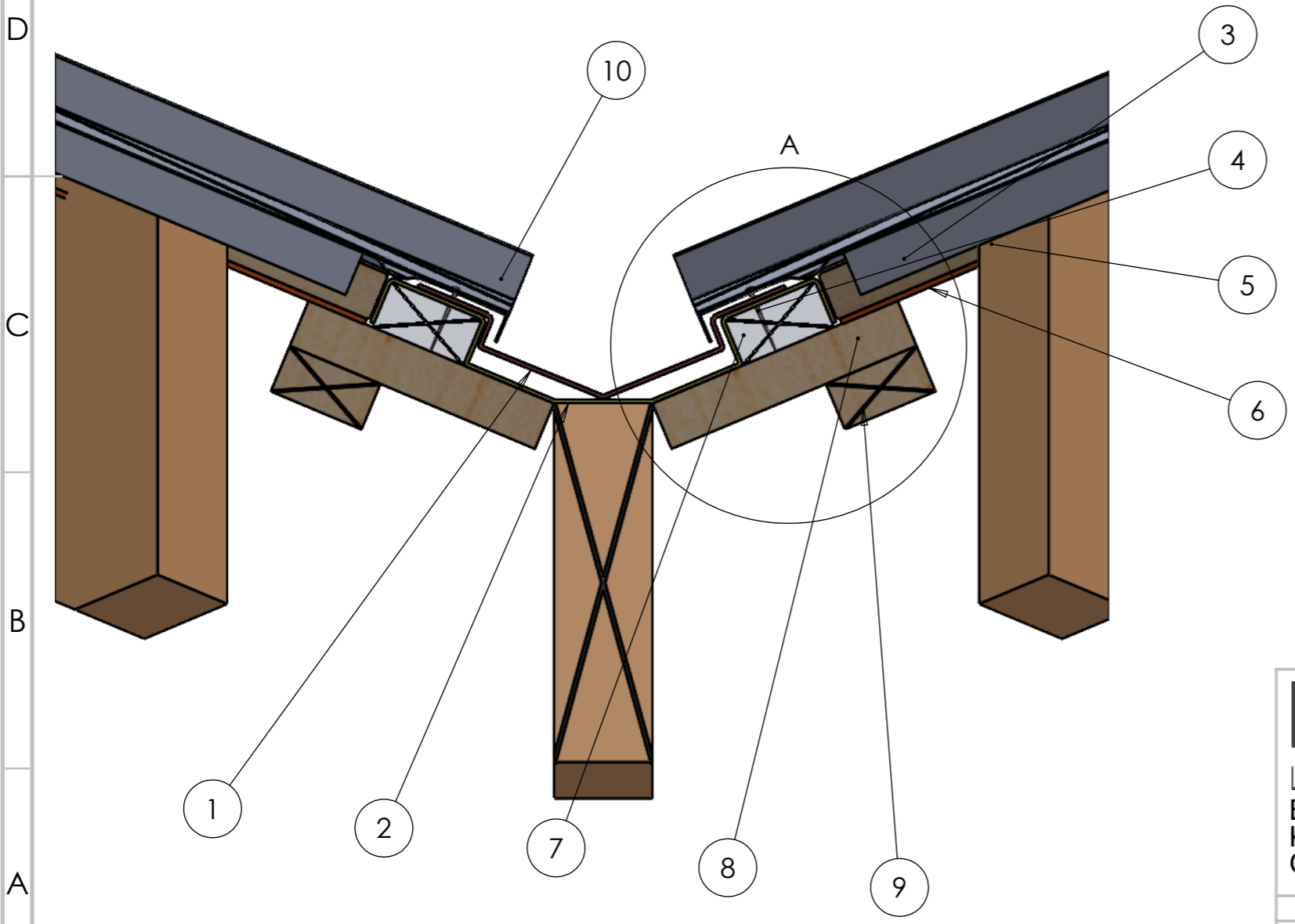
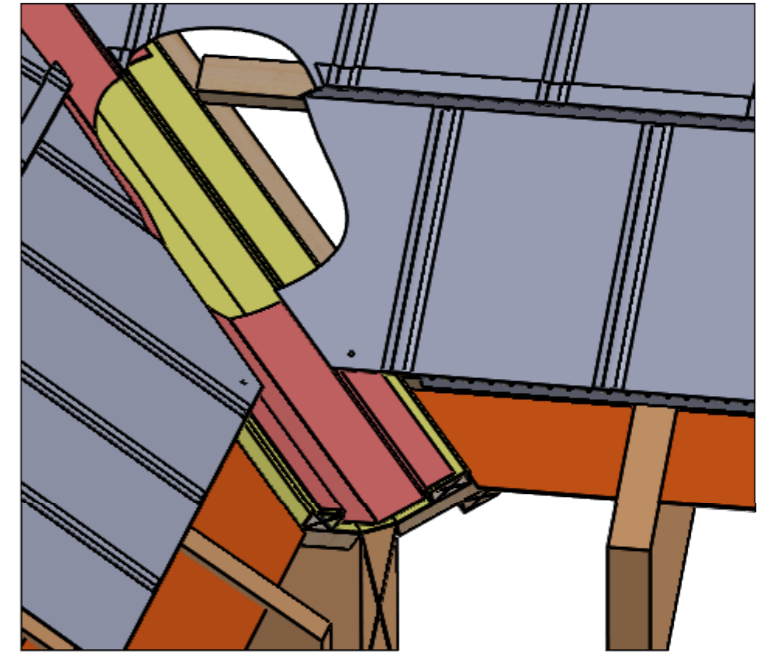


ITEM	DESCRIPTION	DETAIL
1	Valley flashing	
2	Valley membrane	
3	Tile panel	Slate 2000 shown
4	Nail	50x3.35mm
5	Tile batten	50x25mm
6	Breather membrane	
7	Valley batten	50x25mm
8	Lay board	
9	Lay board support	
10	Tile panel 25mm downturn	Fold on site



DETAIL A

BRITMET
 LIGHTWEIGHT ROOFING
 Britmet Tileform Ltd
 Kingfisher House, Unit 17
 Overthorpe Road, Banbury, OX16 4SX

	NAME	DATE	MATERIAL:
DRAWN			
CHK'D			

DO NOT SCALE DRAWING	REVISION
TITLE: Tile panel 0.45- Typical valley detail	
DWG NO. P45-Vall-01-A	
SCALE:DNS	SHEET 1 OF 1

A3